

# Stanwyck™



Stanwyck 56" W single vanity in smoke oak with polished stainless steel and 20" W x 80" H linen cabinet in smoke oak with polished stainless steel

<b>Vanity Size</b>	36" single vanity (36" W x 33-3/4" H x 23" D) 56" single vanity (56" W x 33-3/4" H x 23" D)
<b>Vanity Finishes</b>	Light Mahogany with Antique Bronze Smoke Oak with Polished Stainless Steel
<b>Vanity Top Stones</b>	Calacatta Carrara Catia Black Catia Grey
<b>Linen Cabinet Size</b>	Linen Cabinet (20" W x 80-3/16" H x 16" D)
<b>Linen Cabinet Finish</b>	Light Mahogany with Antique Bronze Smoke Oak with Polished Stainless Steel
<b>Sink</b>	Perfect Soft Oval Basin by Kallista (P74237-WO-0)
<b>Lighting</b>	<b>Francis™</b> 20-1/2" two-light sconce Three-light flush-mount  (Polished Chrome, Oil Rubbed Bronze)
<b>Mirror</b>	<b>Pivot Metal Mirror</b> 24" W x 36" H  (Polished Stainless Steel, Brushed Pewter)

## MADE EXCLUSIVELY FOR ANN SACKS BY ROBERN

In a nod to the inspired architecture from the Art Deco period of design, the Stanwyck Vanity and Linen Cabinet, are a masterful mix of materials and curved form. The 36-inch and 56-inch vanities feature a marble top with commanding 10-inch back-splash, its shaped corners decorated in an ogee edge detail. The top sits above and slightly out from the smooth, composite oak apron above a hand-welded, solid steel base, the slightly tapered steel legs interrupted by decorative orbs and joined by stainless steel box and cross stretchers to create the open lower shelf. The 80-inch Stanwyck Linen Cabinet has a matching hand-welded stainless steel frame that connects the flat composite oak top and base that houses one small working drawer fitted with a single round pull.

## FEATURES

- Stone tops are fabricated in marbles from Italy and Portugal
- Vanity is sold as a set that includes a stone top, and an undermount basin.
- Console vanity with spacious open rack storage
- Fully welded stainless steel frame atop with MDF apron front is coated in a durable, moisture resistant polyurethane finish
- Freestanding design with expertly crafted apron detail; elevated shelves allows for ease of cleaning under the vanity; tapered legs with adjustable leveling feet
- Decorative oval pivot mirror with hand finished metal frame
- Art-Deco inspired lighting with highly textured ribbed glass shades

## INSTALLATION AND MAINTENANCE

- Please refer to Robern, Kallista and Kohler technical documents for installation requirements
- As some white marbles have been known to yellow when they come in contact with epoxy, we advise against installing this marble with epoxy grout and/or adhesives or cleaning with epoxy removing cleaners in order to eliminate the potential for yellow discoloration.
- Stone top is fabricated with pre-drilled knock-outs, accommodating a deck mounted or a wall mounted faucet and the Kallista Perfect Soft Oval Basin
- Stone tops are honed, we recommend sealing prior to use with a penetrating sealer
- Periodic cleaning and resealing of the stone top is recommended using products formulated for natural stone

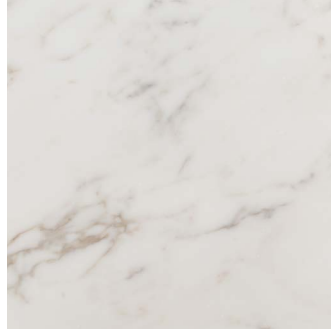
\*Please note: variations in color, shade, surface texture and size are natural characteristics of all our products and should be expected. Images shown are representative, but may not indicate all variations in these characteristics.

# Stanwyck™

---

## VANITY TOP

---



Calacatta



Carrara



Catia Grey



Catia Black

## SINK

---



Perfect Soft Oval Basin by Kallista  
(P74237-WO-0)

\*Please note: variations in color, shade, surface texture and size are natural characteristics of all our products and should be expected. Images shown are representative, but may not indicate all variations in these characteristics.

9/2022

**ANN SACKS**  
www.annsacks.com | 1.800.278.8453

# Stanwyck™

---

## VANITY FINISHES

---



36"W single vanity in Light Mahogany  
with Antique Bronze  
in Calacatta



36"W single vanity in Light Mahogany  
with Antique Bronze  
in Carrara



36"W single vanity in Light Mahogany  
with Antique Bronze  
in Catia Grey



36"W single vanity in Light Mahogany  
with Antique Bronze  
in Catia Black

# Stanwyck™

---

## VANITY FINISHES

---



36"W single vanity in Smoke Oak with Polished Stainless Steel in Calacatta



36"W single vanity in Smoke Oak with Polished Stainless Steel in Carrara



36"W single vanity in Smoke Oak with Polished Stainless Steel in Catia Grey



36"W single vanity in Smoke Oak with Polished Stainless Steel in Catia Black

# Stanwyck™

---

## VANITY FINISHES

---



56"W single vanity in Light Mahogany  
with Antique Bronze  
in Calacatta



56"W single vanity in Light Mahogany  
with Antique Bronze  
in Carrara



56"W single vanity in Light Mahogany  
with Antique Bronze  
in Catia Grey



56"W single vanity in Light Mahogany  
with Antique Bronze  
in Catia Black

\*Please note: variations in color, shade, surface texture and size are natural characteristics of all our products and should be expected. Images shown are representative, but may not indicate all variations in these characteristics.



# Stanwyck™

---

## VANITY FINISHES

---



56"W single vanity in Smoke Oak with  
Polished Stainless Steel  
in Calacatta



56"W single vanity in Smoke Oak with  
Polished Stainless Steel  
in Carrara



56"W single vanity in Smoke Oak with  
Polished Stainless Steel  
in Catia Grey



56"W single vanity in Smoke Oak with  
Polished Stainless Steel  
in Catia Black

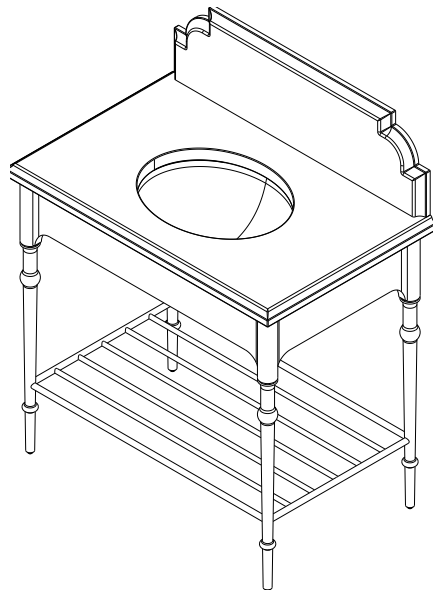
\*Please note: variations in color, shade, surface texture and size are natural characteristics of all our products and should be expected. Images shown are representative, but may not indicate all variations in these characteristics.

# Stanwyck™

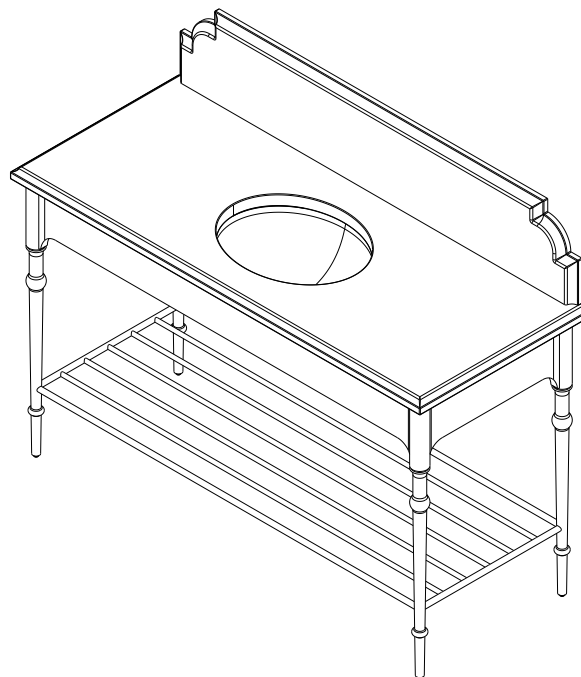
---

## LINE DRAWINGS

---



36"W single vanity



56"W single vanity

\*Please note: variations in color, shade, surface texture and size are natural characteristics of all our products and should be expected. Images shown are representative, but may not indicate all variations in these characteristics.

9/2022

**ANN SACKS**  
www.annsacks.com | 1.800.278.8453

# Stanwyck™

---

## LINEN CABINET

---



Linen Cabinet in smoke oak with  
polished stainless steel



# Stanwyck™

---

## LIGHTING

---



**Francis™**  
20-1/2" two-light sconce  
Polished Chrome



**Francis™**  
20-1/2" two-light sconce  
Oil Rubbed Bronze



**Francis™**  
Three-light flush-mount  
Polished Chrome



**Francis™**  
Three-light flush-mount  
Oil Rubbed Bronze

## MIRROR

---



**Pivot Metal Mirror**  
Polished Stainless Steel

\*Please note: variations in color, shade, surface texture and size are natural characteristics of all our products and should be expected. Images shown are representative, but may not indicate all variations in these characteristics.